



Air Curtains for Revolving Doors

 **airtècnics**

Air curtains for revolving doors

ROTOWIND

The design of buildings with revolving doors that integrate with the environment is a common solution when the entrance has adverse conditions with high pressure differences, temperature differences or strong wind.

To avoid the loss of energy produced with revolving doors and maintain a clean and healthy atmosphere, an air curtain must be installed. The Airtècnics ROTOWIND air curtains for revolving doors are designed tailored to exactly match the curvature of the revolving door. Therefore each air curtain is unique. They are mounted discreetly above the door with two possible configurations and usually painted the same color as the revolving door to integrate the air curtain with all the building.

Other alternative, less used, is to install decorative air curtains in vertical position to one or both sides of the door opening. This solution integrates perfectly with the environment and can be also used to protect the pass doors usually lateral to the revolving doors.



ROTOWIND
Treasury ministry, Madrid (Spain)

ROTOWIND | Air Curtains For Revolving Doors

Characteristics



- Specially designed to be installed in all type of revolving doors. Two possible layouts, tailored dimensions: standard (on top mounting) or inverted (false ceiling mounting).
- Self-supporting casing construction made of galvanized steel plate, finished in structural epoxy-polyester painting white colour RAL9016 as standard. Other colours or stainless steel are available on request.
- Large perforated inlet grille avoiding intensive maintenance.
- Circular anodized aluminium outlet vanes, airfoil shaped.
- Double-inlet centrifugal fans driven by an external rotor motor and low noise level. 5-speed selector. "EC" models assembled with very low consumption efficiency fans.
- "P" type with water heated coil. "E" type with electrical shielded elements, three stages with integrated regulation. "A" type without heating, air only. Optional "DX" with direct expansion coil.
- Includes Plug&Play control with 7m RJ45 cable and infrared remote control. Optional: Clever control (programmable, automatic, intelligent, energy saving, Modbus RTU for BMS...).

Specifications

AIR ONLY

Model	Airflow m ³ /h	Power	Current	Noise	Weight kg
		Fans 230V-50Hz kW	Fans 230V-50Hz A	Level (5 m) dB(A)	
ROTO G 1000 A	2400	0,642	2,85	57	-
ROTO G 1500 A	3200	0,856	3,80	58	-
ROTO G 2000 A	4800	1,284	5,70	59	-
ROTO G 2500 A	5600	1,498	6,65	60	-
ROTO ECG 1000 A	2700	0,225	1,95	61	-
ROTO ECG 1500 A	3600	0,300	2,60	62	-
ROTO ECG 2000 A	5400	0,450	3,90	63	-
ROTO ECG 2500 A	6300	0,525	4,55	64	-

ELECTRICAL HEATED

Model	Airflow m ³ /h	Electrical	Power	Current	Noise	Weight kg
		Heating Capacity 400Vx3-50Hz kW	Fans 230V-50Hz kW	Fans 230V-50Hz A	Level (5 m) dB(A)	
ROTO G 1000 E	2400	5/10/15	0,642	2,85	57	-
ROTO G 1500 E	3200	7,5/15/22,5	0,856	3,80	58	-
ROTO G 2000 E	4800	10/20/30	1,284	5,70	59	-
ROTO G 2500 E	5600	10/20/30	1,498	6,65	60	-
ROTO ECG 1000 E	2700	5/10/15	0,225	1,95	61	-
ROTO ECG 1500 E	3600	7,5/15/22,5	0,300	2,60	62	-
ROTO ECG 2000 E	5400	10/20/30	0,450	3,90	63	-
ROTO ECG 2500 E	6300	10/20/30	0,525	4,55	64	-

WATER HEATED

Model	Airflow m ³ /h	P86		P64		P54		Power Fans 230V-50Hz kW	Current Fans 230V-50Hz A	Noise Level (5 m) dB(A)	Weight kg
		Heating Capacity 80/60°C kW	Water Drop Pressure 80/60°C Pa	Heating Capacity 60/40°C kW	Water Drop Pressure 60/40°C Pa	Heating Capacity 50/40°C kW	Water Drop Pressure 50/40°C Pa				
		ROTO G 1000 P	2250	11,04	1230	10,42	6190				
ROTO G 1500 P	3000	16,02	940	15,47	8020	16,37	5670	0,856	3,80	58	-
ROTO G 2000 P	4500	24,92	2700	22,29	6810	23,15	3030	1,284	5,70	59	-
ROTO G 2500 P	5250	31,16	4930	26,61	5060	28,76	5450	1,498	6,65	60	-
ROTO ECG 1000 P	2550	11,89	1400	11,27	7110	11,50	2090	0,225	1,95	61	-
ROTO ECG 1500 P	3400	17,29	1070	16,77	9240	17,86	6620	0,300	2,60	62	-
ROTO ECG 2000 P	5100	26,86	3080	24,14	7850	25,24	3530	0,450	3,90	63	-
ROTO ECG 2500 P	5950	33,63	5650	28,84	5840	31,38	6360	0,525	4,55	64	-

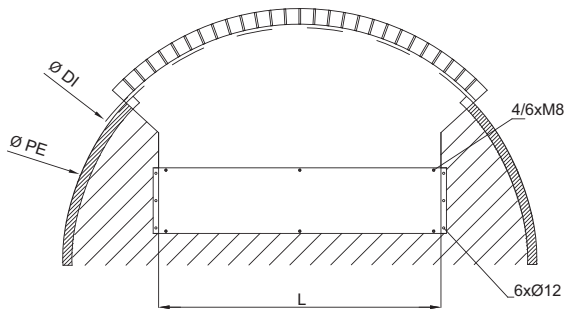
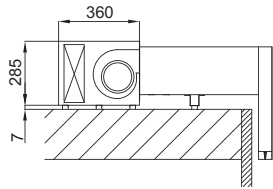
Water heated: connection pipes P86 and P64 are 2x3/4" female (male if lateral pipes), P54 2x1" male. P86 2 rows coil, P64 3 rows coil, P54 4 rows coil.

ROTOWIND | Air Curtains For Revolving Doors

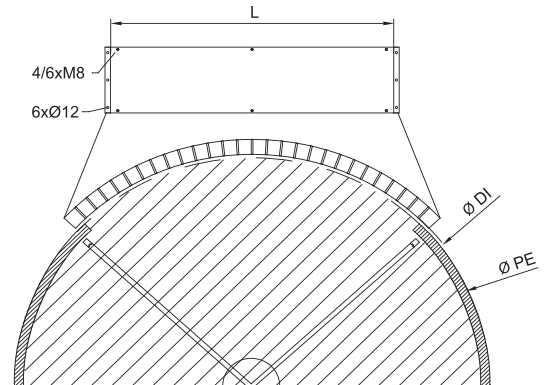
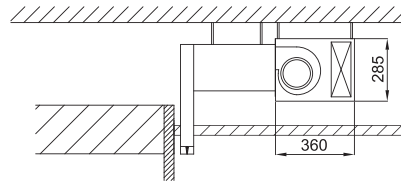
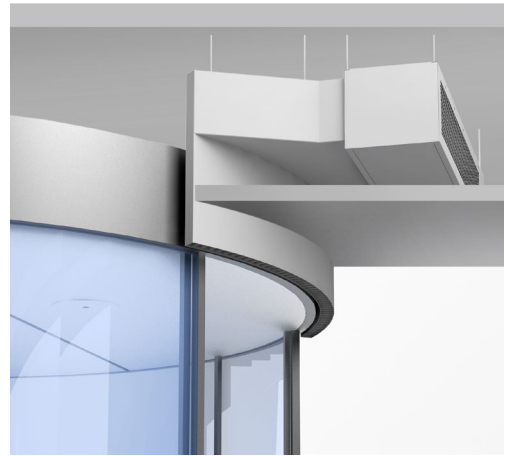
Layouts and dimensions

Rotowind air curtains are tailor-made for any kind of revolving door according to the following layouts:

Standard: On top mounting



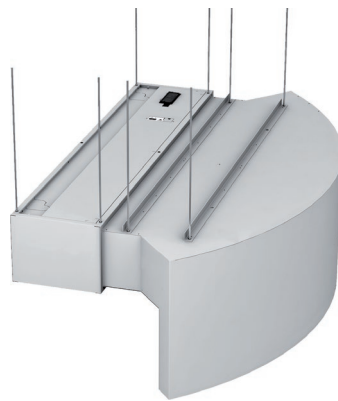
Inverted: False ceiling mounting



Fixation system



Fixed onto the door



Hanging from the ceiling

Optional decorative front cover



- RAL 9016 (standard), optional:
- Colour from RAL palette
 - Stainless steel AISI 304



ROTOWIND

University College Hospital, London (UK)



Liverpool Hope University
University of Liverpool
The Gateway to the Future
100 Years 2007



Automatic door

ROTOWIND painted black RAL
Hope University, Liverpool (UK)



ROTOWIND Recessed invisible surface
Pharmaceutical company, Bristol Myers Squibb, Paris (France)



AUTOMATIC DOORS

ROTOWIND with goalposts support
Hotel Novotel Paddington (UK)



*ROTOWIND installation with side dummies
Mutua General de Seguros, Barcelona (Spain)*



Kairtonica

ROTOWIND painted yellow RAL
Ikea Store, Oviedo (Spain)

Our air curtains range

The new and attractive Airtècnics air curtains are the ideal solution to control the indoor climate in commercial or industrial premises that need to keep their doors open.

Air curtains create an invisible barrier that efficiently divides the internal atmosphere from the external one. They substantially reduce energy losses through the door, up to 80%, while increasing employees and clients comfort.

For commercial premises, Airtècnics air curtains allow a clear view of the inside, welcoming the client to come in freely. The result is more customers and increase in sales. Moreover, they contribute to create a comfortable atmosphere at the entrances and indoor area, protect from cold and heat, repel insects and avoid dust, fumes and pollution entering the building.

The selection of the appropriate device is very important to obtain these advantages. Factors such as interior drops, strong winds, the door's location, several communicated floors and/or opposite doors and the height of the installation, among others, have to be taken into consideration at the time of choice.



Since year 1993, Airtècnics is fully integrated in the Rosenberg group, an organization specialised in the design, manufacture and distribution of ventilation equipments, air-conditioning and its components, with production plants, subsidiary companies and partners in more than 50 countries.



Control & regulation

The control over air curtains is essential to avoid spending more energy than necessary.

Our latest generation controller CLEVER, allows the automatic control of the air curtains performance in each situation, maintaining the comfort with the maximum energy saving.

- Proactive and intelligent regulation
- Many advanced functions and programmes
- Maximum energy savings
- Friendly interface design
- “Plug & Play” installation
- BMS connection

Management: App PC / ANDROID / iOS:



Accessories

Temperature sensors, door contact, ambient thermostat, anti-freeze sensor, thermostatic valve and Modbus TCP Ethernet.

Airtècnics, as air curtains specialist, can produce units with special requirements under request.

We present some of the possibilities:

- External alarm signals: unit working, heating ON, airflow switch, dirty grille, electronic overheating signal, fans overheating thermo contact TK, electrical heating blocked, etc.
- Water or steam coils for higher temperatures or different power than standard
- Special heating elements at desired power and power supply
- Dummies (empty air curtains) to combine with working units
- Industrial air curtains with ATEX fans

Please consult us for further information or other options.



Conca de Barberà, 6 - Pol. Ind. Pla de la Bruguera
E-08211 CASTELLAR DEL VALLÈS (Barcelona) Spain
Tel. + 34 93 715 99 88 - Fax. + 34 93 715 99 89
airtecnics@airtecnics.com

www.airtecnics.com
www.dooraircurtain.com

